



Rider Information

Name: _____

Phone: _____

Email: _____

Height: _____ **Weight:** _____

Current Chair: _____ **Current Cushion:** _____

Ability/Diagnosis: _____

RGK Contact Authorization:

RGK would like to send you exclusive information, news and promotional offers on RGK.

I would like to be contacted by RGK:

Signature: _____ **Date:** _____

*We do not pass your personal information onto any third party.

Account Information

Account Name : _____

Account #: _____ **PO#:** _____

Contact Name : _____

Phone: _____

Email: _____

Ship to: **Account** **Rider**

Name: _____

Address: _____

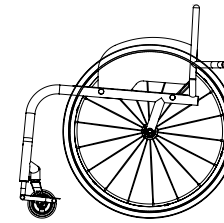
RGK Genius: _____

Frame Styles

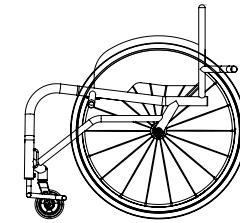
701XZ010 **Octane Sub4** (Max User Weight 110kg/242lbs. HCPCS Coded K0005)
 701XA070 **Open design**
 701XA080 **Ⓞ Dual-Tube design**

701XW009 **Quote Only** (No CAD for Approval)
 701XW011 **Order Only** (No CAD for Approval)
 701XW012 **Quote CAD drawing for approval** (1st CAD is NCO.)
 701XW010 **Order CAD drawing for approval** (1st CAD is NCO.)

CAD approved by: **701XW013 Customer** **701XW014 RGK Genius**



Open Design



Dual-Tube Design

\$9,823
 STD
 NCO
 STD
 STD
 NCO
 NCO

Measurements

Please Note: All RGK chairs are hand built and have a manufacturing tolerance of +/- 5mm (.25). All measurements can be done in 5mm (.25") increments.

Please select either Millimeters or Inches.

Measurements: **Millimeters (mm.)** **Inches (in.)**

701XY010 Rear Seat Width Measured from inside of side guard to inside of opposite side guard. Or outside seat tube to outside of opposite seat tube near backrest. (Min. 250mm/9.84" and Max. 440mm/17.32")

Current Chair: mm. in. New Chair: mm. in.

701XY020 Seat Depth/Seat Length Measured from front of back post to the front edge of seat sling. Frame bend will start .5" in front of seat sling unless Extra Frame Length requested. (Min. 250mm/9.84" and Max. 470mm/18.5")

Current Chair: mm. in. New Chair: mm. in.

701XY030 Extra Frame Length Measured from front edge of seat sling to beginning of Front frame bend. (Max. 470mm/18.5" Seat length + Extra seat length)

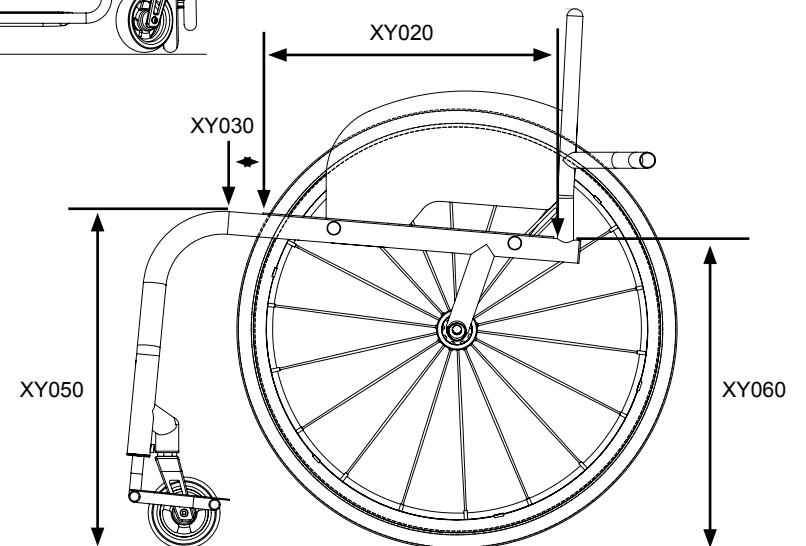
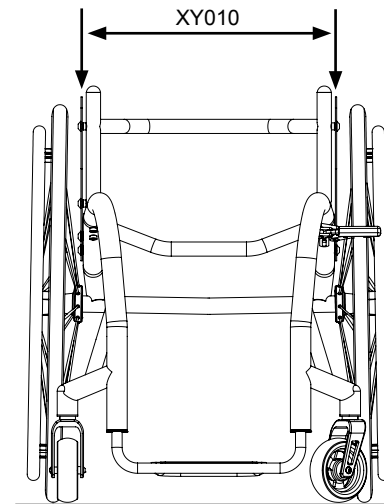
Current Chair: mm. in. New Chair: mm. in.

701XY050 Front Frame Height Measured from floor to apex of seat tube. (Min. 380mm/14.96" and Max. 520mm/20.47")

Current Chair: mm. in. New Chair: mm. in.

701XY060 Rear Frame Height Measured from floor to top of seat tube at back edge of seat sling. (Min. 360mm/14.17" and Max. 500mm/19.69")

Current Chair: mm. in. New Chair: mm. in.



Design Template

701XY070 Occupied Frame Length/Frame Length Measured from the front of the backrest tube to the front edge of the footrest. (Min. 390mm/15.35" and Max. 635mm/25")

Current Chair: New Chair:

701XY072 Caster Stem Position Measured from the front edge of the footrest to the centerline of the caster barrel. **701XY073** RGK to Optimize:

Current Chair: New Chair:

701XA020 Ergonomic Seat Measured from front of back post to beginning of upward bend of seat tube. **\$88**

Current Chair: New Chair:

701XY080 Front Seat Taper/Seat Taper Design Measured from inside of front frame tube at the front frame bend to inside of opposite front frame tube at the front frame bend.

Current Chair: New Chair:

701XY091 Footrest Width/Parallel Taper Measured from inside of front frame tube at footrest adjustment to inside of opposite front frame tube at footrest adjustment. (Tip: when ordered together XY091 is usually 20mm (1") less than XY080).

Current Chair: New Chair:

701XY115 Front Footrest Height Measured from ground up to the top of the Front footrest tube or cover.

Current Chair: New Chair:

701XY120 Rear Footrest Height Measured from ground up to the top of the Rear footrest tube or cover. Standard is 20mm less than Front Footrest Height.

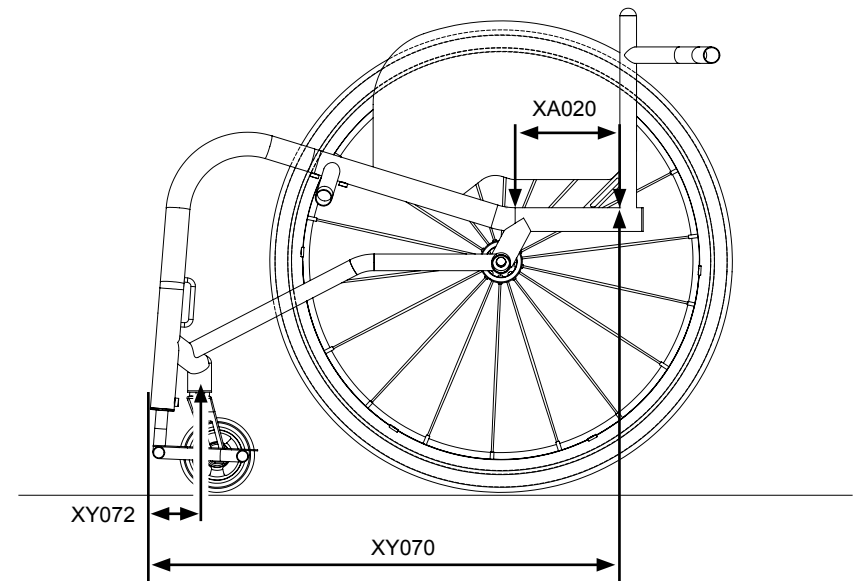
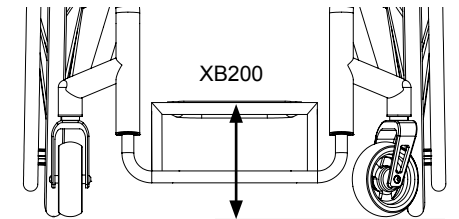
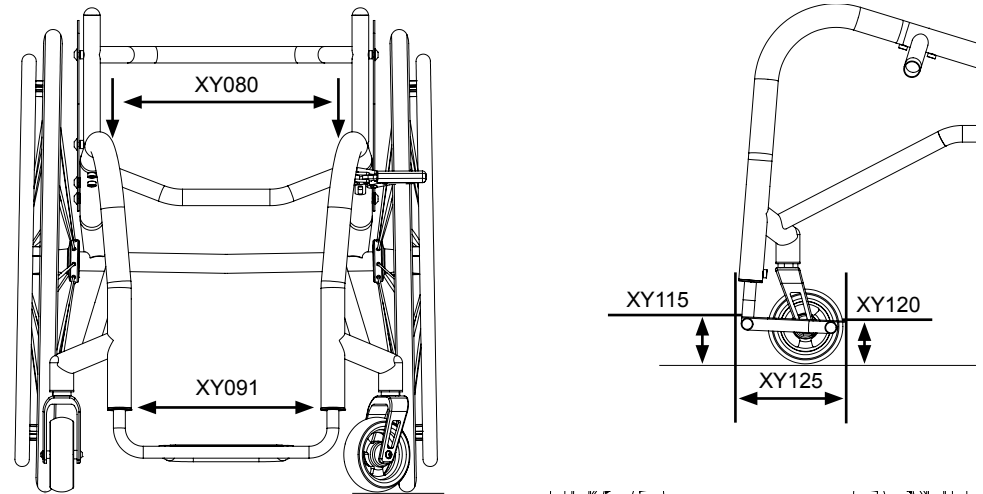
Current Chair: New Chair:

701XY125 Footrest Length Measured from front edge of footrest to back edge of footrest. (Max 140mm for certified weight)

Current Chair: New Chair:

701XB200 High Mount Footrest/High Level Footrest Measured from ground up to the top of the Front footrest tube or cover (Min. 127mm/5.5"). **\$154**

Current Chair: New Chair:



Design Template

701XY330 Stem Bolt/Caster Pin Width Measured from centerline of caster pin to the centerline of the opposite caster pin. 701XY331 RGK to Optimize:

Current Chair: New Chair:

701XY231 Backrest Height Measured from top of seat tube at rear of frame to top of back-post.

Current Chair: New Chair:

701XY360 Backrest Angle Measured as the angle from top front of the backrest tube to the floor. (Max. -10° to +10°) -5° -3° 0° 3° 5°

Current Chair: New Chair:

701XG110 Inward Taper Measured from inside backrest tube to inside of opposite backrest tube at the top of the backrest. \$88

Current Chair: New Chair:

701XG100 Ergonomic Backrest Measured from top of seat tube at rear of frame to the start of the rearward bend of back-post. \$88

Current Chair: New Chair:

701XG120 Outward Flare Measured from inside backrest tube to inside of opposite backrest tube at the top of the backrest. \$88

Current Chair: New Chair:

701XY390 Camber Angle Place a straight edge across the outside of rear wheel and use an angle finder to show the degree of camber.

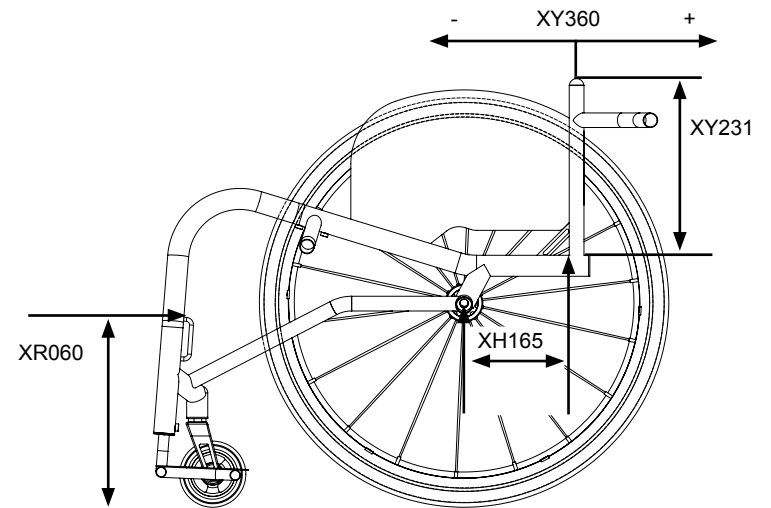
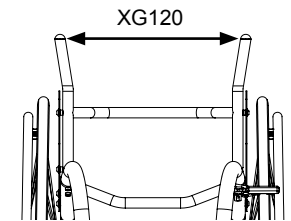
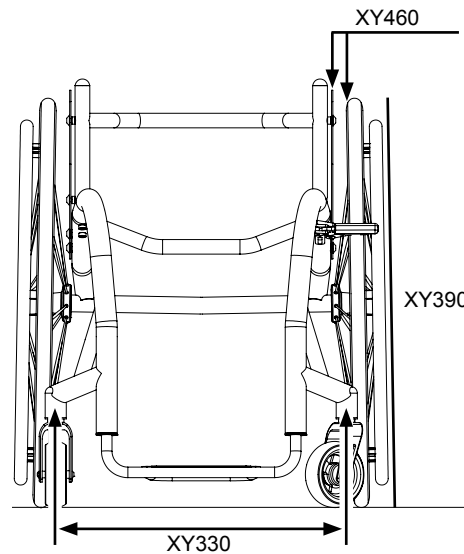
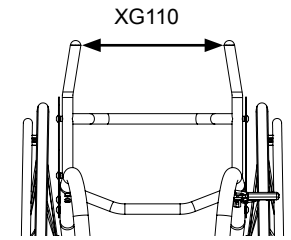
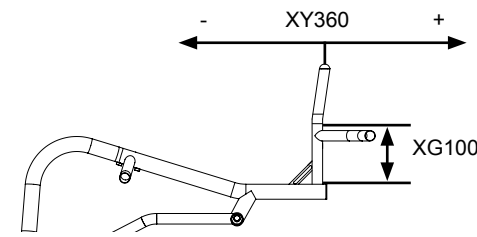
Current Chair:	1°	New Chair:	701XY397 1°
	2°		701XY398 2°
	3°		701XY399 3°

701XH165 Center of Gravity Measured from front of back post at the seat tube to the centerline of the rear axle.

Current Chair: New Chair:

701XY460 Rear Wheel Gap Measured from outer most point of chair (seat back post, side guard or armrest) to inside of rear tire.

Current Chair:	.6"(15)	New Chair:	701XY464 .6"(15)
	.78"(20)		701XY465 .78"(20)
	1"(25)		701XY466 1"(25)



Design Template

701XR060 Welded Calf Strap Mounting Loops Measured from the ground to the top of where the calf strap is required. 701XR061 RGK to Optimize: \$111

Current Chair:

New Chair:

Footrest Design

701XY100	Round Design (Titanium)	STD
701XY105	Ⓢ Square Design (Titanium)	NCO

Footrest Cover

701XB045	Ⓢ Lightweight 3K carbon fiber, footrest cover WITH center cut out	STD
701XB046	Lightweight 3K carbon fiber, footrest cover WITHOUT center cut out	NCO
701XB155	Ⓢ Lightweight Spinerge Cast Carbon fiber, footrest cover WITH center cut out	NCO
701XB156	Light weight Spinerge Cast Carbon fiber footrest cover WITHOUT center cut out	NCO

Footplate Width

701XB049	Footplate width Sub4 certified (Std if no option selected)	STD
701XB050	Ⓢ Footplate width optimized for chair	NCO

Front Wheels

701XC135	Aluminum Center 4"x1.25"	STD
701XC1131	Sliver hub & black tire	
701XC1132	Black hub & black tire	
701XC1133	Purple hub & black tire	
701XC1134	Green hub & black tire	
701XC1135	Red hub & black tire	
701XC1136	Blue hub & black tire	
701XC155	4" x 1.25" Spinerge CX6 Cast Carbon fiber front wheel	NCO
701XC156	Cerakoted Spinerge CX6 Cast Carbon fiber front wheel (Hub only. See Cerakot color options on page 6)	NCO
701XC140	Ⓢ Aluminum Center 5"x1.4" (Sliver hub & black tire)	\$140

Forks

701XC190	Low Ride fork	STD
701XC192	High Trail fork	NCO

Wheel Lock

701XD036	Compact Scissor with Direct Mount (Only available with 701XH100 Single post fixed center of gravity)	STD
701XD020	Ⓢ Underseat Scissor	NCO
701XD050	Ⓢ Push To Lock	NCO
701XD085	Ⓢ Eagle (Indicate color)	\$109
701XD086	Ⓢ Eagle with Direct Mount (Indicate color) (Only available with 701XH100 Single post fixed center of gravity)	\$124
701XD088	Black	
701XD089	Purple	
702XD090	Red	
701XD091	Blue	
701XD010	Omit Wheel Lock	NCO

Side Guards

701XE055	Screw on lightweight 3k carbon fiber	STD
701XE275	Screw on Spinergy CX6 Cast Carbon fiber	NCO
701XEM05	25mm above tire (Follow tire)	NCO
701XEM06	Individual above tire (Follow tire - max. 25mm)	NCO
701XEM02	Level with tire	STD
701XEM07	Side guard length	STD
70XEM08	Side guard height	STD
701XE065	Screw on lightweight 3k carbon fiber with fender	STD
701XEM03	10mm above tire	NCO
701XEM01	Individual above tire (Follow tire - max. 25mm)	NCO
701XEM09	Center of tire	STD
701XEM10	Outside of Tire	STD

Backrest

701XG010	Fixed Backrest (non-folding)	STD
701XG020	Ⓞ Folding backrest with 2 position snap lock and angle adjust	\$364

Center of Gravity

701XH100	Single post fixed center of gravity	STD
701XH130	Ⓞ Square back adjustable of gravity (Range: 25mm - 125mm)	\$404
701XH140	Ⓞ Round back adjustable of gravity (Range: 60mm - 125mm)	\$404

Push Handles

701XG070	Ⓞ Screw in push handles	\$170
XG080	Ⓞ Flip down push handles	\$261

Anti-Tip

701XJ100	Ⓞ Single sport anti-tip	\$482
----------	--------------------------------	-------

Frame Finishes

Non painted finishes

701XN030	Bead-blast frame	STD
701XN050	Polished frame	NCO

Painted finishes

701XN500	Ⓞ CeraKote frame	NCO
701XN600	Ⓞ CeraKote components (Component color will match frame if not otherwise specified. Components include: Forks, Wheel Lock clamps, and Camber Tube clamps.)	NCO
701XN800	Ⓞ CeraKote Spinergy wheels (See Rear Wheel Type on page 8. Hubs and Rims are CeraKoted on Rear Wheels, Hubs on Front Wheels.)	\$332

Frame	Components	Spinergy	Colors	Frame	Components	Spinergy	Colors
701XN501	701XN601	701XN801	Midnight Black	701XN509	701XN609	701XN809	Rose Gold
701XN502	701XN602	701XN802	Java Bronze	701XN510	701XN610	701XN810	Retro Blue
701XN503	701XN603	701XN803	Pure Titanium	701XN511	701XN611	701XN811	Hot Pink
701XN504	701XN604	701XN804	Fire Red	701XN512	701XN612	701XN812	Wicked Green
701XN505	701XN605	701XN805	Prime Blue	701XN513	701XN613	701XN813	Bright White
701XN506	701XN606	701XN806	Sahara Gold	701XN514	701XN614	701XN814	Tangerine Orange
701XN507	701XN607	701XN807	Black Cherry	701XN515	701XN615	701XN815	Sunbeam Yellow
701XN508	701XN608	701XN808	Fresh Green	701XN516	701XN616	701XN816	Matte Navy

Accent Color

701XN251	Black	STD
701XN253	Red	NCO
701XN255	Purple	NCO
701XN252	Silver	NCO
701XN254	Blue	NCO
701XN250	Individual Accent Color	\$189

Seat Upholstery

701XP045	Sub4 Seat Sling Adjustable Strap	STD
701XR050	Ⓢ Carbon Fiber Seat Plate	\$371

Back Upholstery

701XP035	Sub4 Airtech Adjustable Strap	STD
701XP050	Ⓢ Airtech Adjustable Strap	NCO
701XP070	Ⓢ Backrest upgrade to leather corners (Only available with Airtech upholstery 701XP050)	\$132
701XP110	Ⓢ Backrest zip pocket (Only available with Airtech upholstery 701XP050)	\$98
Upholstery Stitching Color		
701XP550	Black	STD
701XP551	Silver	NCO
701XP552	Red	NCO
701XP553	Orange	NCO
701XP554	Blue	NCO
701XP555	Purple	NCO
RGK Backrest Logo Color		
701XP557	White (Standard if nothing selected)	STD
701XP558	Red	STD
701XP559	Black	NCO
701XP560	Blue	NCO
701XP561	Purple	NCO

Rear Wheel Size

701XY420	24" (540) Rear wheel size	701XY430	25" (559) Rear wheel size	STD
----------	---------------------------	----------	---------------------------	-----

Rear Wheel Type

701XK075	Spinergy BLXL 18 bladed spoke	STD
701XK150	Spinergy CLX 18 bladed spokes carbon fiber rim	\$773
701XK226	Titanium 100mm quick release axle pins	STD
701XK155	RGK EXCLUSIVE Spinergy CX6 Cast Carbon Fiber (Black Carbon Fiber Hub, Matte Black Carbon Fiber Rim and Black Bladed Spokes with 2 White Bladed Spokes Around Valve Stem)	\$921
Spinergy Spoke Colors		
701XK650	Black	STD
701XK651	Red	NCO
701XK652	Purple	NCO
701XK653	White	NCO
701XK654	Blue	NCO

Cushions

701XP080	④ Cushion foam				\$91
	Density	701XP001 Soft	701XP002 Medium		
	Thickness	701XP003 50mm	701XP004 75mm	701XP005 100mm	

Cushion Covers

701XP085	④ Nylon Cushion Cover (Black)				STD
701XP090	④ Airlite Cushion Cover (Black)				\$70

JAY Products - Please Include JAY Order Form

701XP900	④ JAY Cushion	Refer to JAY Order Form (Cushionn will ship seperately from chair)
701XP910	④ JAY Backrest	Refer to JAY Order Form (Cushionn will ship seperately from chair)

Empulse Products - Please Include Empulse Order Form

701EP100	④ Empulse Add-On Power-Assist Devices (IN11- USEWITHRGK)	Ship with chair	or	Ship separate from chair (uninstalled)
	F35 - Pull Device			
	M90 - Wheel Add-On			
	R90 - Push-Assist			

Accessories

701XR080	④ Frontwheel Assembly				\$802
701XP120	④ Zip Black Frame Protectors Neoprene Fasten (Black)				\$79
701XP420	④ Velcro Black Frame Protectors Nylon Fasten (Black)				\$53
701XR010	④ Black Seat Pouch Velcro Attach (Black)				\$70
701XR200	④ Black Rucksack with RGK Logo (Black)				\$67
701XR090	Tool Kit				STD
701XS065	Sub4 Calf Strap				STD
	④ Military Service Patches				\$116
	701VU1 US Marine Patch	701VU2 US Army Patch	701VU3 US Navy Patch		
	701VU4 US Air Force Patch	701VU12 US Coast Guard Patch	701VU5 Purple Heart Patch		

Ordering Information

Estimated MSRP*

Quote

Order

(*Price does not include any non Design Template or one-off requested options)

Specification Notes

